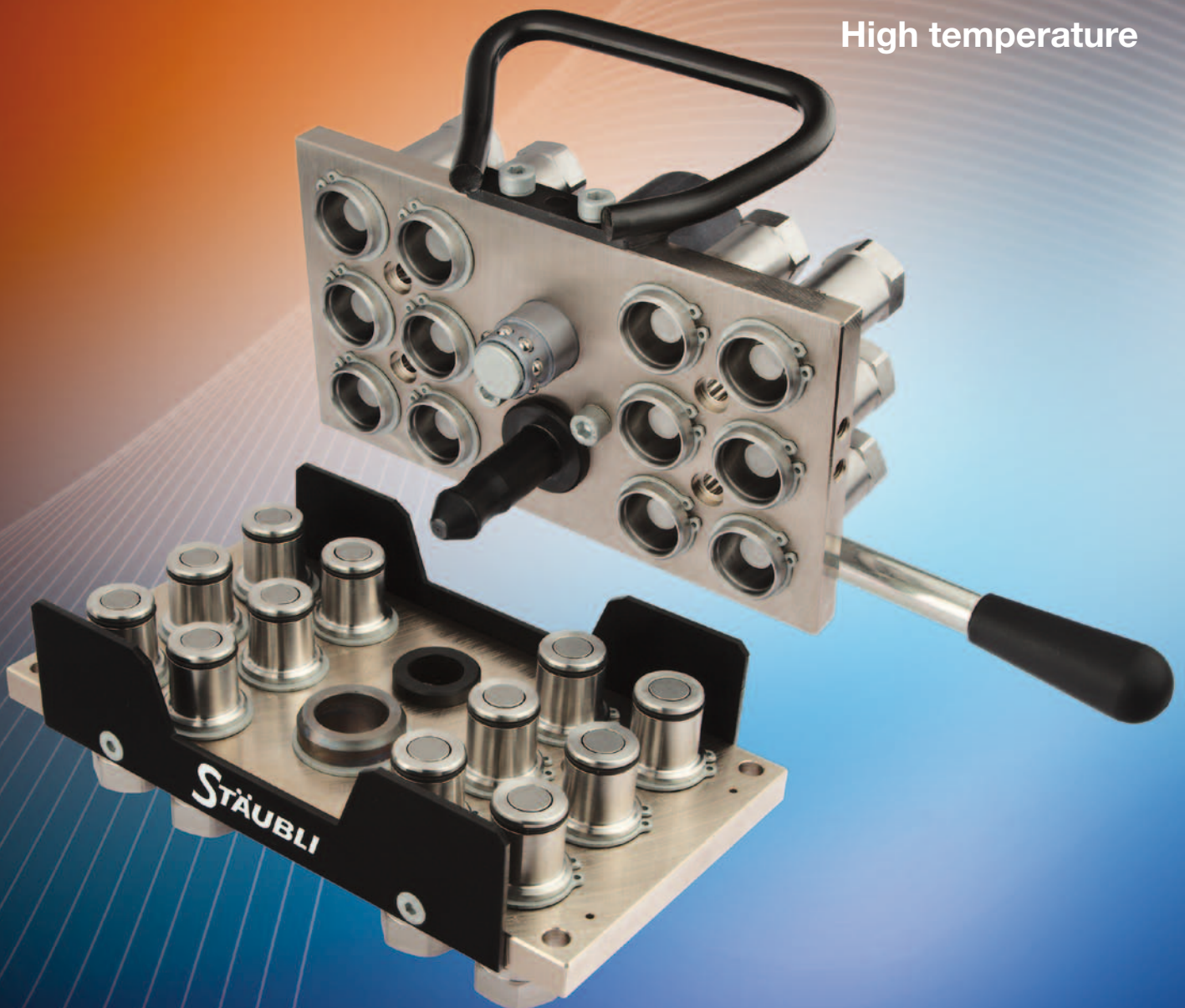


**HTM multi-couplings**  
Temperature control

High temperature





## Centralised high temperature connections...

### Applications

- Temperature control fluids
- Temperature control of moulds on injection presses in plastics industry
- Temperature control in metallurgical (die casting, iron and steel), glass, composites, aluminium and magnesium pressure die casting, and other industries

### Efficient and fast

Safe and fast connections and disconnections with simple rotation of the control lever.

### Safe

- Connection in one single position: no error possible.
- Foolproof keying system to prevent any connection error in the event of use of several plates on the same tool.
- Robust locking system with removable handle.
- Automatic shut-off of supply circuits upon disconnection.

### Flexibility of use

- System tailored to both existing and new machines and tools.
- Parking plate for storage when not in use.
- 2 grades of seal available: Fluorocarbon or Perfluorocarbon.
- CAD files available on request from our sales network.

### Centralised energy connections

- Optimised tool change times.
- Streamlined connections.







## ... for safe control

### Plates equipped with maintenance-free high temperature couplings



- Internal double shut-off design with no seal and metal/metal tightness for resistance to high temperatures up to 300 degrees.
- Design with no seal in the fluid stream, not requiring any internal maintenance.
- Replacement of the outer seal of each plug in situ in a few minutes, as often as necessary, guaranteeing continuous tightness at lower cost.

### Ergonomic and compact locking system



## 2 configurations available as standard

### HTM 09.12

12 couplings – 6 circuits Ø 9 mm



### HTM 12.12

12 couplings – 6 circuits Ø 12 mm





## Technical characteristics

	HTI 09	HTI 12
Flow diameter (mm)	9	12
Max. service pressure (bar)	12	12
Operating temperature when coupled* (°C)	0 to + 300	0 to + 300
Shut-off	double	double

\* Excluding operating handle

### Operating temperatures

- Fluorocarbon (FPM) seal, code **JV**: 0 to 300 °C (for a limited time)
- Perfluorocarbon (FFKM) seal, code **JK**: 0 to 300 °C (for a limited time)

### Tightness

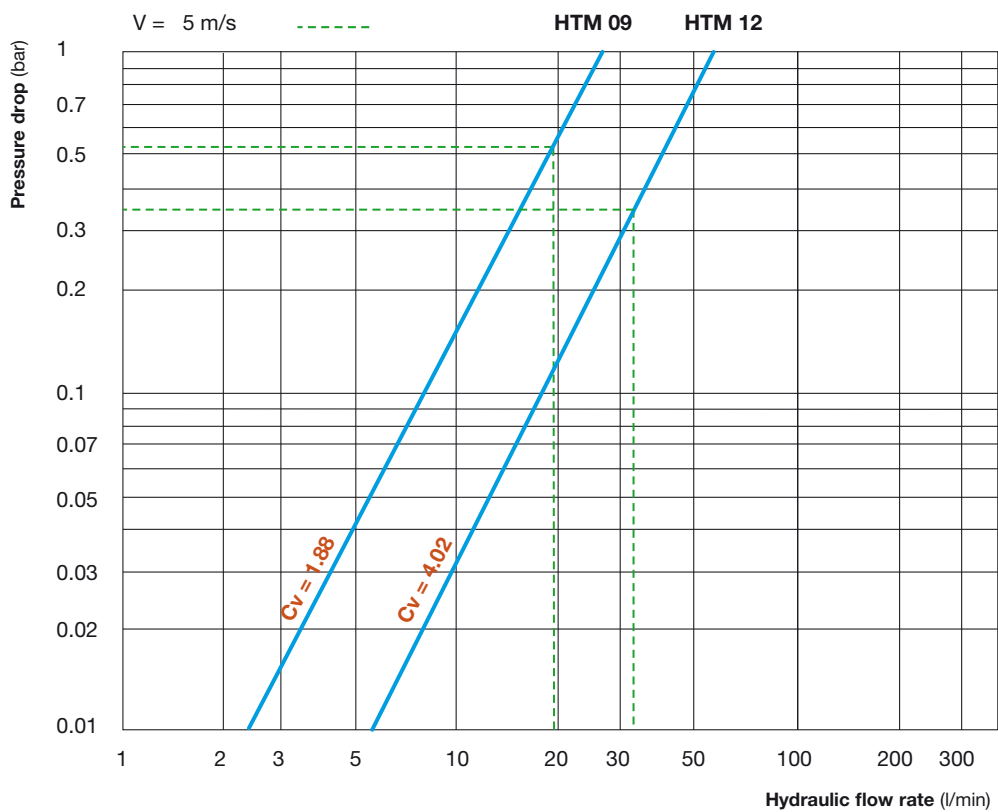
- Fluorocarbon (FPM) seal as standard on plug
- Perfluorocarbon (FFKM) seal available optionally on plug

### Construction

- Solid steel couplings
- Steel plates



## Flow rate / pressure drop hydraulic charts



### Test conditions:

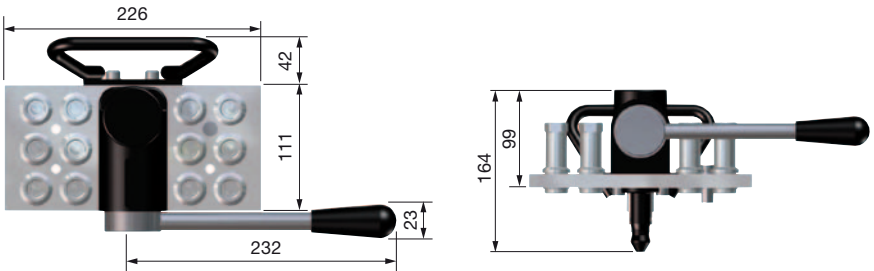
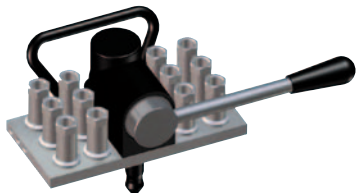
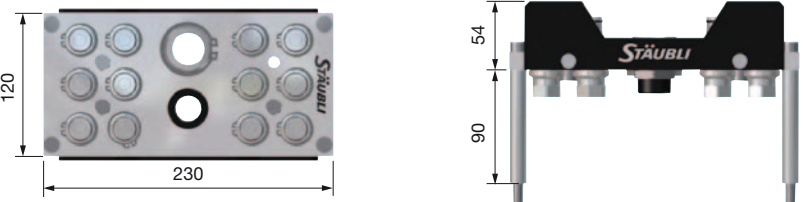

- Fluid: water
- Direction of flow: coupling → plug





## Part-numbers

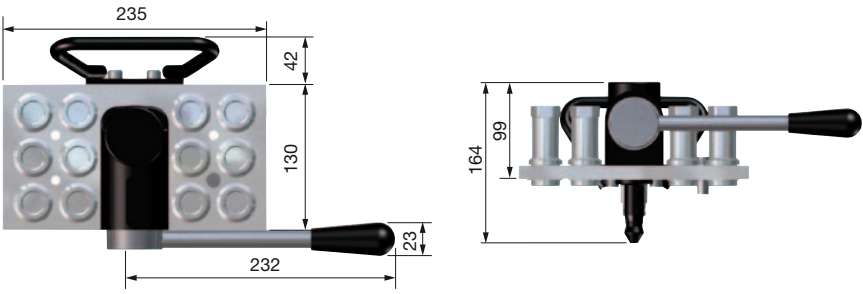
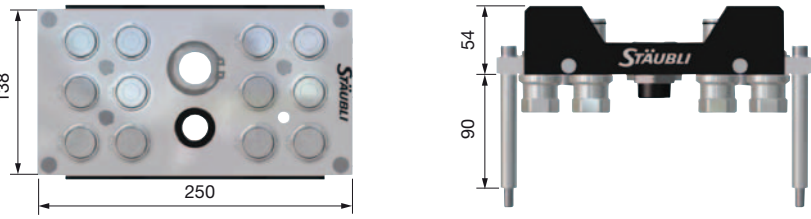
### HTM 09.12

Designation	Outlet	Part-numbers
<p><b>Machine equipment</b>  <b>Mobile plate</b> equipped with 12 couplings (6 circuits) 9 mm diameter            Female thread</p> 	 <p>G 3/8</p>	<p><b>HTM 09.12.1102/IA</b></p>
<p><b>Tool equipment</b>  <b>Fixed plate</b> equipped with 12 plugs (6 circuits) 9 mm diameter            Female thread</p> 	 <p>G 3/8</p>	<p><b>HTM 09.12.7102/IA/JV*</b></p>

\* Fluorocarbon seal (JV) as standard. Perfluorocarbon seal (JK) also available; replace code JV with JK at the end of the part-number.


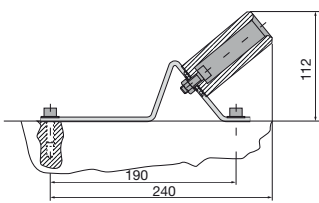
## Part-numbers

### HTM 12.12

Designation	Outlet	Part-numbers
<p><b>Machine equipment</b>  <b>Mobile plate</b> equipped with 12 couplings (6 circuits) 12 mm diameter                      Female thread</p> 	G 1/2	<b>HTM 12.12.1103/IA</b>
<p><b>Tool equipment</b>  <b>Fixed plate</b> equipped with 12 plugs (6 circuits) 12 mm diameter                      Female thread</p> 	G 1/2	<b>HTM 12.12.7103/IA/JV*</b>

\* Fluorocarbon seal (JV) as standard. Perfluorocarbon seal (JK) also available: replace code JV with JK at the end of the part-number.

### Parking plate

 	Part-number
	<b>RMP 40.8900</b>

### Keying kit

Equipment	Kit Part-numbers
Machine equipment	<b>RMI 212.12.8910</b>
Tool equipment	<b>RMI 212.12.8960</b>

**Belgium**

Tel.: +32 (0) 56 36 40 03  
connectors.be@staubli.com

**Brazil**

Tel.: +55 (0) 11 2348 7400  
connectors.br@staubli.com

**China**

Tel.: +86 40066 70066  
connectors.cn@staubli.com

**Czech Republic,  
Slovakia, Hungary**

Tel.: +420 466 616 125  
connectors.cz@staubli.com

**France**

Tel.: +33 (0)1 69 93 25 00  
srf@staubli.com

**Germany, Austria,  
Denmark**

Tel.: +49 (0) 921/883 - 0  
connectors.de@staubli.com

**Hong Kong**

Tel.: +852-2366 0660  
connectors.hk@staubli.com

**India**

Tel.: +91 22 2823 93 43 / 45  
connectors.in@staubli.com

**Italy**

Tel.: +39 (0) 362/944.1  
connectors.it@staubli.com

**Japan**

Tel.: +81 6 6889 3308  
connectors.stkk@staubli.com

**North America**

(USA, Canada, Mexico)  
Tel.: +1 864/433-1980  
connectors.usa@staubli.com

**Poland**

Tel.: +48 42 636 85 04  
connectors.pl@staubli.com

**Portugal**

Tel.: +351 22 978 39 56/50  
connectors.pt@staubli.com

**Romania, Bulgaria**

Tel.: +40374040494  
connectors.ro@staubli.com

**Russia**

Tel.: + 7 812 3344630  
connectors.ru@staubli.com

**Singapore**

Tel.: +65 / 6266 0900  
connectors.sg@staubli.com

**Slovenia, Croatia**

Tel.: +386 (0)8 205 01 05  
connectors.si@staubli.com

**South Korea**

Tel.: +82 53 753 0044  
connectors.kr@staubli.com

**Spain**

Tel.: +34 937 205 405  
connectors.es@staubli.com

**Switzerland**

Tel.: +41 (0) 43/244 22 33  
connectors.ch@staubli.com

**Taiwan**

Tel.: +886 2 8797 7795  
connectors.tw@staubli.com

**Turkey**

Tel.: +90 212/472 13 00  
connectors.tr@staubli.com

**United Kingdom**

Tel.: +44 (0) 1952 671 918  
connectors.uk@staubli.com

[www.staubli.com](http://www.staubli.com)



■ Staubli units  
○ Connectors distributors

**International sales coordination**

Stäubli Faverges - CS 30070 - F - 74210 Faverges  
Tel.: +33 (0) 4 50 65 67 97 - Fax: +33 (0) 4 50 65 60 69  
e mail: connectors.sales@staubli.com

Staubli is a trademark of Stäubli International AG, registered in Switzerland and other countries.  
© Staubli. 25/06/2014

We reserve the right to modify product specifications without prior notice.